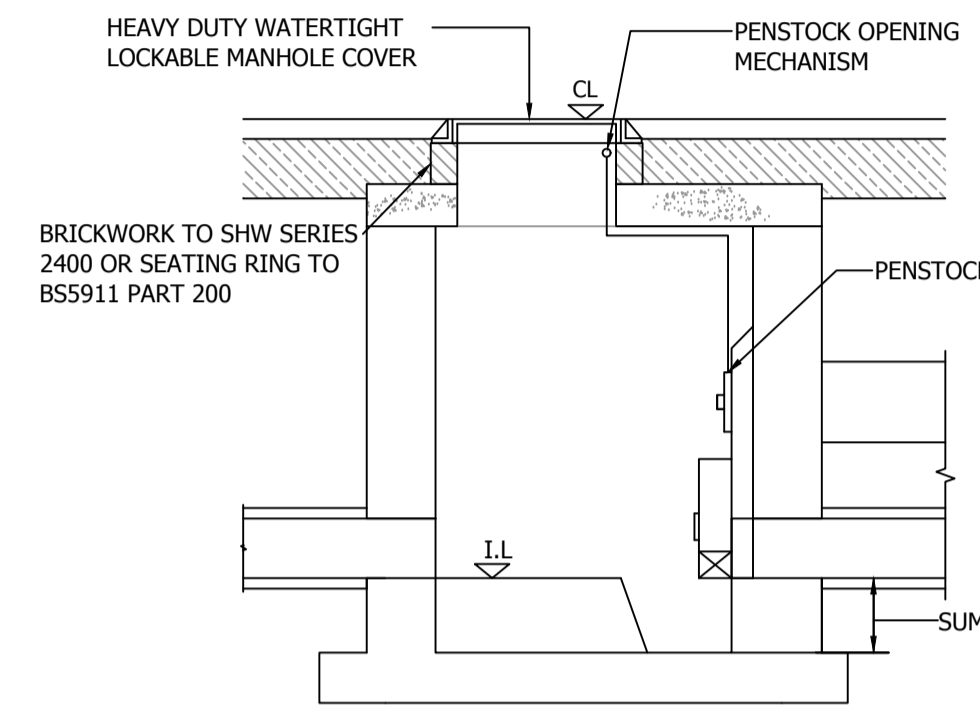
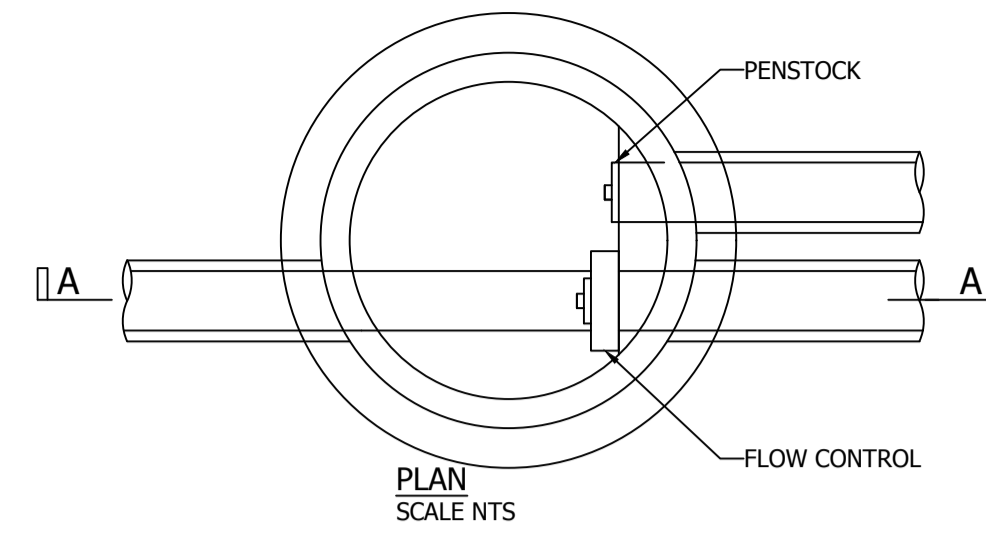
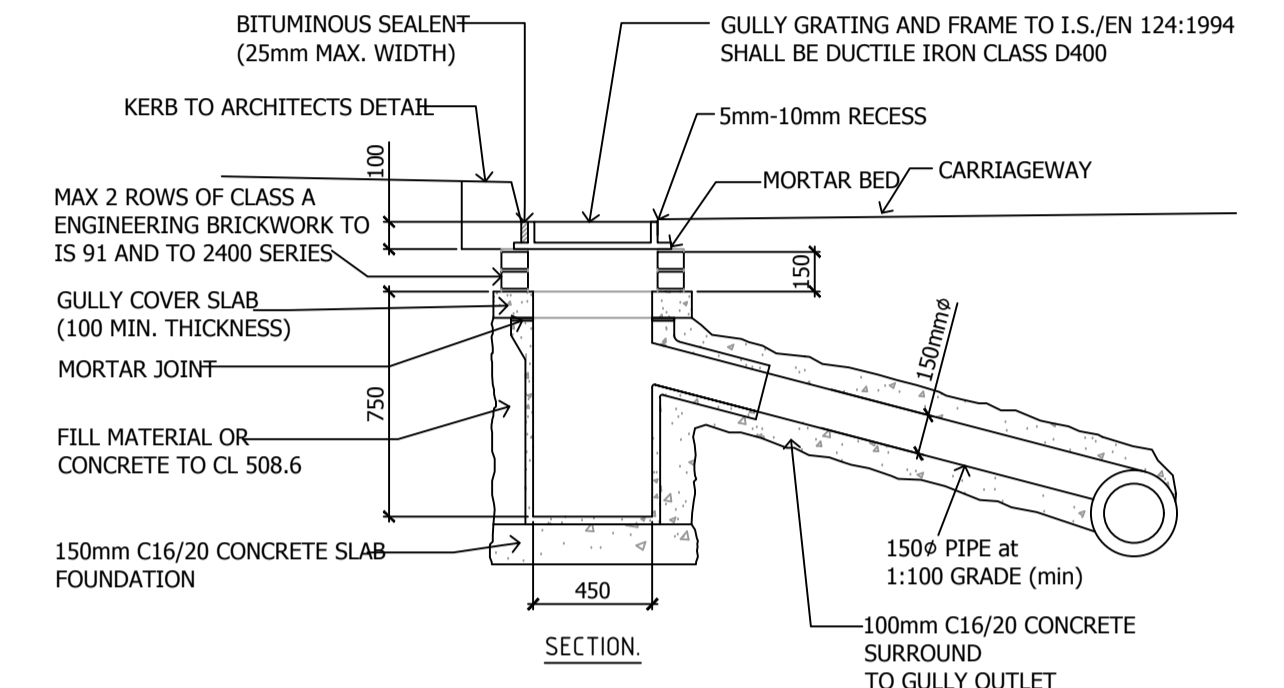
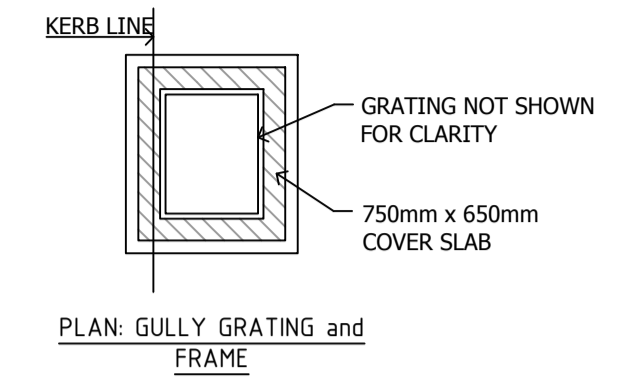


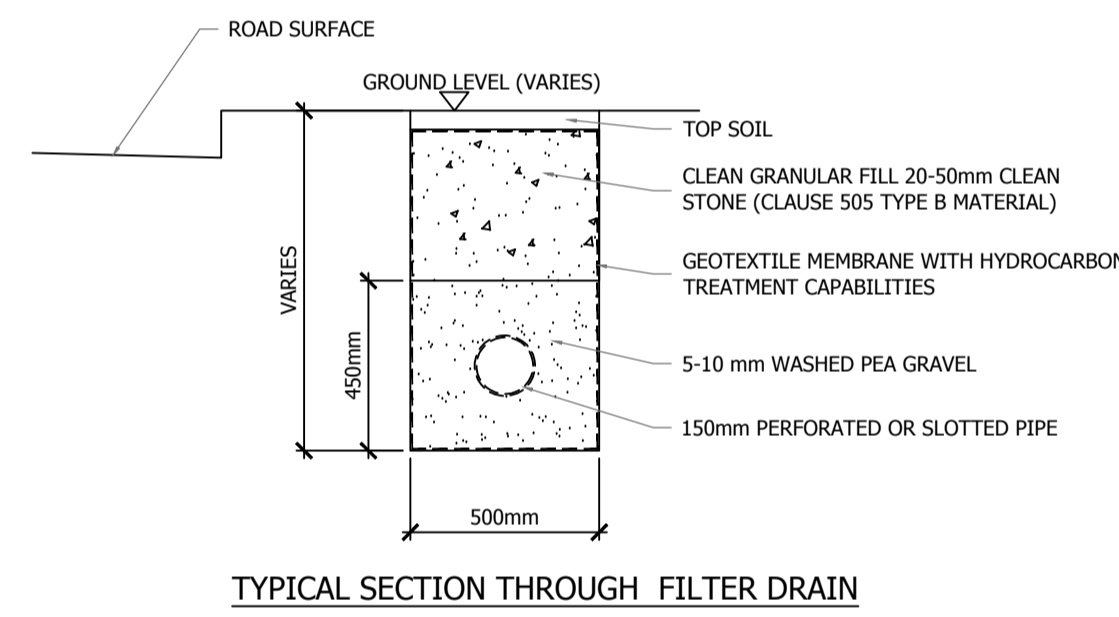
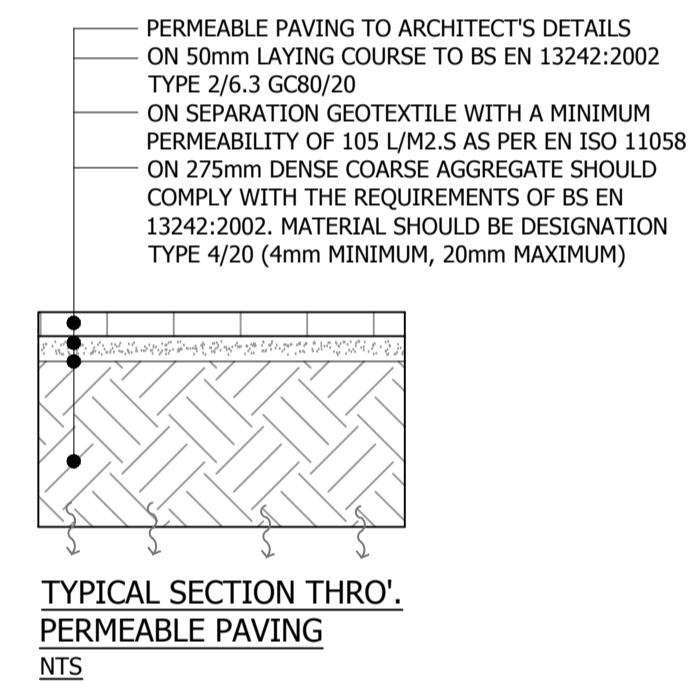
GEO-CELLULAR ATTENUATION TYPICAL CROSS SECTION



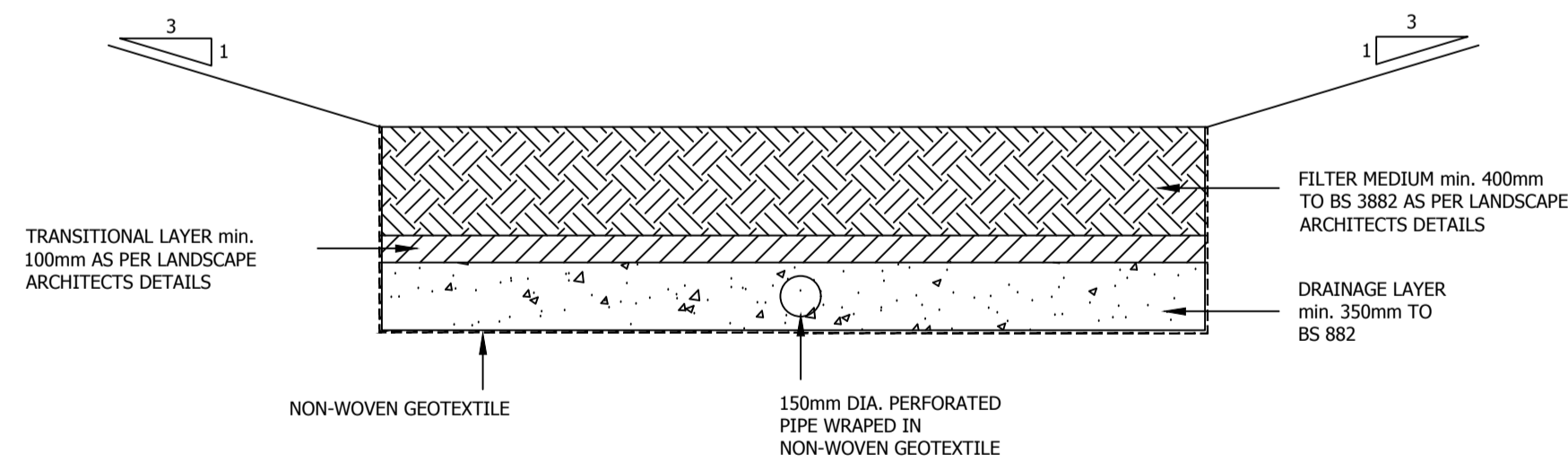
SECTION A-A STORM WATER FLOW CONTROL MANHOLE SCALE NTS



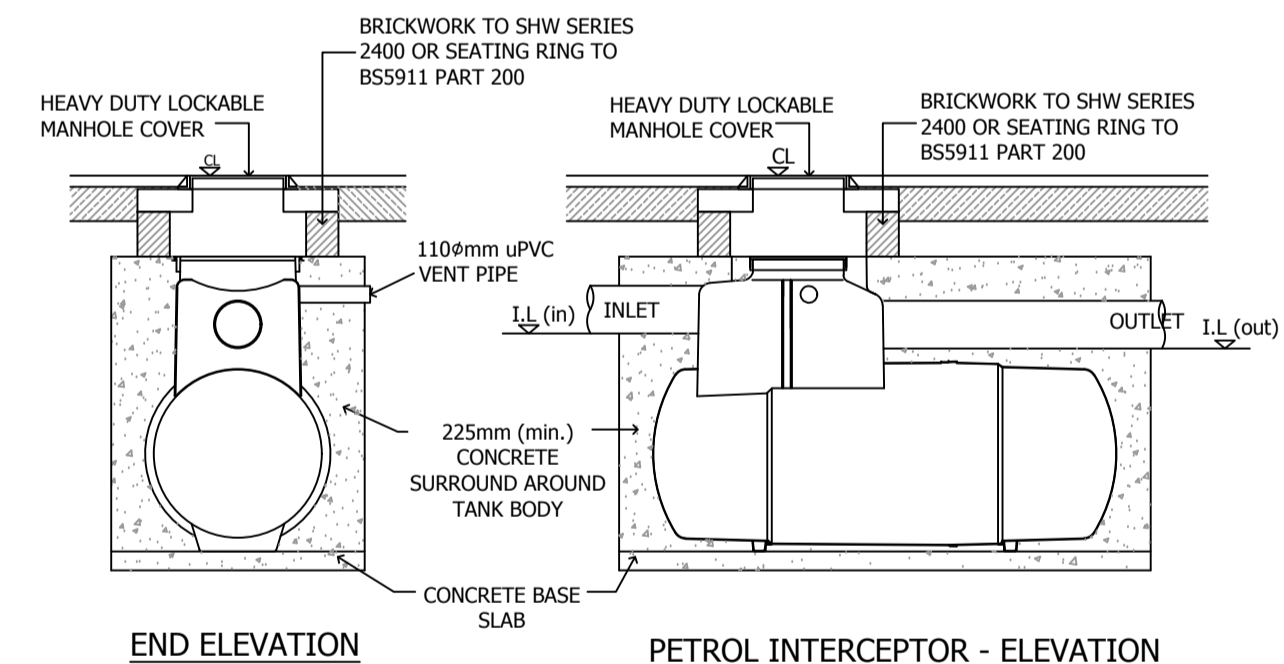
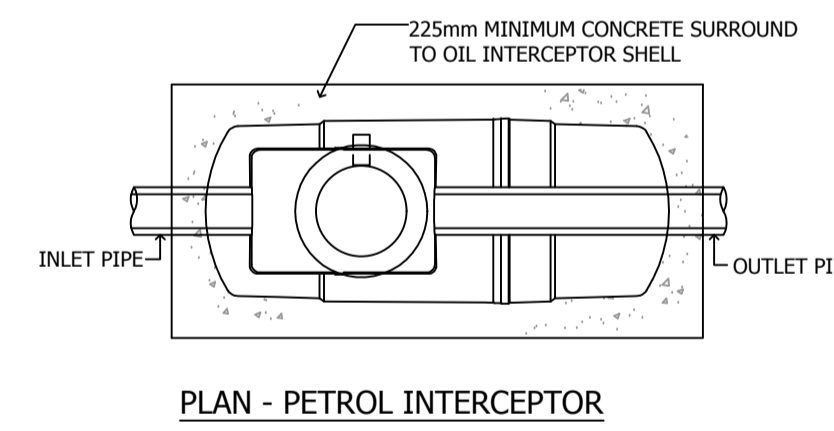
TYPICAL PRECAST ROAD GULLY



TYPICAL SECTION THROUGH FILTER DRAIN



INDICATIVE SECTION THROUGH BIORETENTION AREA SCALE: NTS



PLAN - PETROL INTERCEPTOR

END ELEVATION

PETROL INTERCEPTOR - ELEVATION

Copyright
 No part of this document may be reproduced or transmitted in any form or stored in any retrieval system of any nature without the written permission of Muir Associates Ltd. as copyright holder except as agreed for use on the project for which the document was originally issued.

NOTES:

| REVISION | DATE | DESCRIPTION | REV BY | CHK BY |
|----------|----------|---------------------|--------|--------|
| A | 21.10.20 | ISSUED FOR PLANNING | SC | SS |
| | | | | |
| | | | | |
| | | | | |
| | | | | |

Consulting Engineers
 Project Managers
 Muir Associates
 Marketing Network House,
 Anykle Square,
 Morehampton Road,
 Dublin D04 K0Y1, Ireland
 Telephone: +353-1-6762788
 email: info@muir.ie www.muir.ie

| | | | | |
|--------------|---|----------|------------|-----|
| PROJECT | ST. MICHAELS DEVELOPMENT, DÚN LAOGHAIRE | | | |
| CLIENT | FITZWILLIAM DL LTD | | | |
| TITLE | STANDARD DRAINAGE DETAILS | | | |
| SHEET 2 OF 2 | | | | |
| Director | Proj. Eng. | Drawn by | DRG. No. | REV |
| SSR | SS | SC | D1855-C-09 | A |
| Scale | Checked | Date | | |
| NTS @A1 | SS | OCT 20 | | |

PLANNING